



**FIRE
CONTAINMENT
CONCEPTS**

24" LARGE EMERGENCY FIRE CONTAINMENT SYSTEM (EFCS)

| PART NUMBERS | DESCRIPTION |
|---------------------|--|
| EFCS-24-BO-BLACK | 24" LARGE BURNT ORANGE WITH A BLACK KYDEX STORAGE CASE |
| EFCS-24-BO-GRAY | 24" LARGE BURNT ORANGE WITH A GRAY KYDEX STORAGE CASE |
| EFCS-24-BO-TAN | 24" LARGE BURNT ORANGE WITH A TAN KYDEX STORAGE CASE |
| EFCS-24-SG-BLACK | 24" LARGE SILVER GRAY WITH A BLACK KYDEX STORAGE CASE |
| EFCS-24-SG-GRAY | 24" LARGE SILVER GRAY WITH A GRAY KYDEX STORAGE CASE |
| EFCS-24-SG-TAN | 24" LARGE SILVER GRAY WITH A TAN KYDEX STORAGE CASE |

➤ **FIRE CONTAINMENT CONCEPTS RECOMENDS THE 24" LARGE EFCS or 20" MEDIUM FOR THE FOLLOWING AIRCRAFT.**

| | Large jets | VIP Airliners |
|--|-------------------------------|--------------------------|
| | Challenger 600/ 601/ 604/ 605 | Embraer Lineage 1000E |
| | Challenger 650/ 850 | BBJ1 737-700/ 800/ 900ER |
| | Global Express 5000/ 6000 | Airbus CJ318/ 319/320 |
| | Legacy 600/650 | |
| | Falcon 2000 LXS/ EX/ ER | |
| | Falcon 900 LX/ EX | |
| | Falcon 7X | |
| | Falcon 8X | |
| | Gulfstream IV/ G450 | |
| | Gulfstream V/G500/G550 | |
| | Gulfstream G650(ER)/ | |



FIRE CONTAINMENT CONCEPTS

24" LARGE EMERGENCY FIRE CONTAINMENT SYSTEM (EFCS)

The Large 24" Emergency Fire Containment System (EFCS) was designed to safely contain and automatically suppress fires and resultant smoke originating from nearly any size Electronic Devices, heated jackets, toys and large laptops up to (22") carried on-board aircraft.

Retail Price: \$4,750.00 includes:

Color Choice of EFCS



(Burnt Orange)



(Silver Gray)

Color Choice of Storage Case



(Tan Storage Case)



(Black Storage Case)



(Gray Storage Case)

Large Thermal-Guard Gloves





24" LARGE EMERGENCY FIRE CONTAINMENT SYSTEM (EFCS)

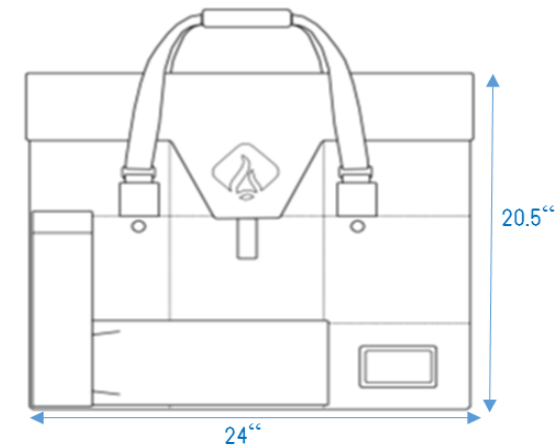
24" Large EFCS & storage case dimensions

- Weight: Approximately **14.7 Lbs.**
- Weight with Storage Case: **19.5 Lbs.**
- Height: **20.5"**
- Width: **24"**
- Width of Storage Container: **25.5"**
- Maximum Depth at Suppression Cylinder: **4.5"**
- Maximum Depth of Storage Case at Suppression Cylinder: **5"**
- Max Temp Contained: **2600° F**
- Suppression Agent Cylinder Volume: **26 oz.**
- Suppression System Pressurized: **175 PSI Compressed Nitrogen**
- Suppression Agent –ColdFire As **-40°F** Certified A & B Recognized C & D

Installation Procedures

The Emergency Fire Containment System (EFCS) may be mounted directly to a flat surface or the provided Storage Case may be Velcro mounted in any suitable safe location utilizing the provided 2" or 4" adhesive backed fire resistant Velcro. The EFCS may be mounted vertically or horizontally based on the needs of the individual installation. The EFCS storage case was designed to be hard mounted to the aircraft interior if desired. Hard mounting of the EFCS Storage Case requires a specific Supplemental Type Certificate (STC) Approval. Please contact Fire Containment Concepts for assistance 1 (800) 877- 2204 or via email at support@fcconcepts.com

24" Large EFCS



Storage Container

