



20" MEDIUM EMERGENCY FIRE CONTAINMENT SYSTEM (EFCS)

PART NUMBERS	DESCRIPTION
EFCS-20-BO-BLACK	20" MEDIUM BURNT ORANGE WITH A BLACK KYDEX STORAGE CASE
EFCS-20-BO-GRAY	20" MEDIUM BURNT ORANGE WITH A GRAY KYDEX STORAGE CASE
EFCS-20-BO-TAN	20" MEDIUM BURNT ORANGE WITH A TAN KYDEX STORAGE CASE
EFCS-20-SG-BLACK	20" MEDIUM SILVER GRAY WITH A BLACK KYDEX STORAGE CASE
EFCS-20-SG-GRAY	20" MEDIUM SILVER GRAY WITH A GRAY KYDEX STORAGE CASE
EFCS-20-SG-TAN	20" MEDIUM SILVER GRAY WITH A TAN KYDEX STORAGE CASE

- **FIRE CONTAINMENT CONCEPTS RECOMENDS THE 20" MEDIUM EFCS FOR THE FOLLOWING AIRCRAFT.**

Super Mid-Size jets	Large jets	VIP Airliners
Challenger 300/ 350	Challenger 600/ 601/ 604/ 605	Embraer Lineage 1000E
Citation Sovereign	Challenger 650/ 850	BBJ1 737-700/ 800/ 900ER
Citation X	Global Express 5000/ 6000	Airbus CJ318/ 319/320
Falcon 50	Legacy 600/650	
Gulfstream G200/G250/ 280	Falcon 2000 LXS/ EX/ ER	
Hawker 4000	Falcon 900 LX/ EX	
Embraer Legacy 500	Falcon 7X	
Challenger 300/ 350	Falcon 8X	
	Gulfstream IV/G350/G450	
	Gulfstream V/G500/G550	
	Gulfstream G650(ER)/	



FIRE CONTAINMENT CONCEPTS

20" MEDIUM EMERGENCY FIRE CONTAINMENT SYSTEM (EFCS)

The Medium 20" Emergency Fire Containment System (EFCS) was designed to safely contain and automatically suppress fires and resultant smoke originating from most Personal Electronic Devices (up to a 17" laptop) carried on-board aircraft.

Retail Price: \$4,600.00 includes:

Color Choice of EFCS



(Burnt Orange)



(Silver Gray)

Color Choice of Storage Case



(Tan Storage Case)



(Black Storage Case)



(Gray Storage Case)

1 Pair Large Thermal-Guard Gloves





20" MEDIUM EMERGENCY FIRE CONTAINMENT SYSTEM (EFCS)

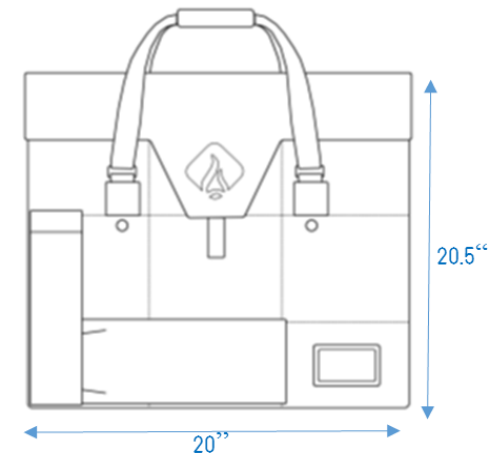
20" Medium EFCS & storage case dimensions

- Weight: Approximately **13.5 Lbs.**
- Weight with Storage Case: **19.5 Lbs.**
- Height: **20.5"**
- Width: **20"**
- Width of Storage Container: **21.5"**
- Maximum Depth at Suppression Cylinder: **4.5"**
- Maximum Depth of Storage Case at Suppression Cylinder: **5"**
- Max Temp Contained: **2600° F**
- Suppression Agent Cylinder Volume: **26 oz.**
- Suppression System Pressurized: **175 PSI Compressed Nitrogen**
- Suppression Agent –ColdFire As **-40°F** Certified A & B Recognized C & D

Installation Procedures

The Emergency Fire Containment System (EFCS) may be mounted directly to a flat surface or the provided Storage Case may be Velcro mounted in any suitable safe location utilizing the provided 2" or 4" adhesive backed fire resistant Velcro. The EFCS may be mounted vertically or horizontally based on the needs of the individual installation. The EFCS storage case was designed to be hard mounted to the aircraft interior if desired. Hard mounting of the EFCS Storage Case requires a specific Supplemental Type Certificate (STC) Approval
Please contact Fire Containment Concepts for assistance 1 (800) 877- 2204 or via email at support@fcconcepts.com

20" Medium EFCS



Storage Container

